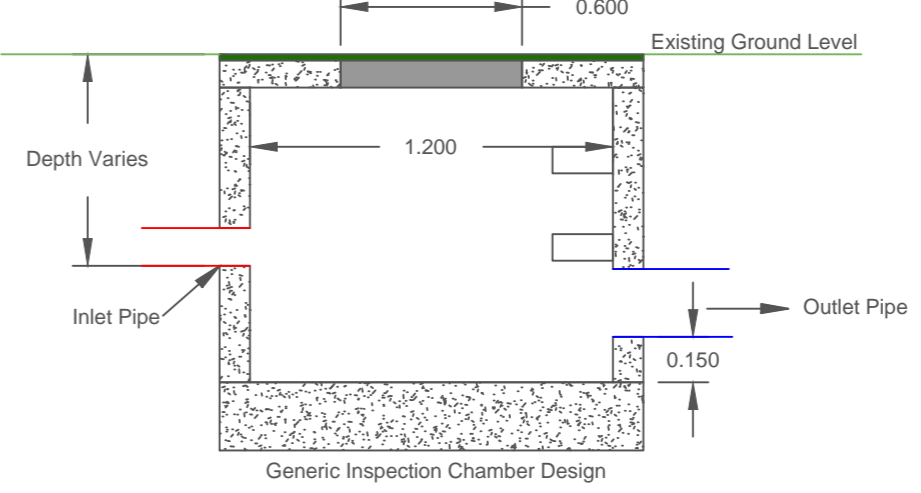
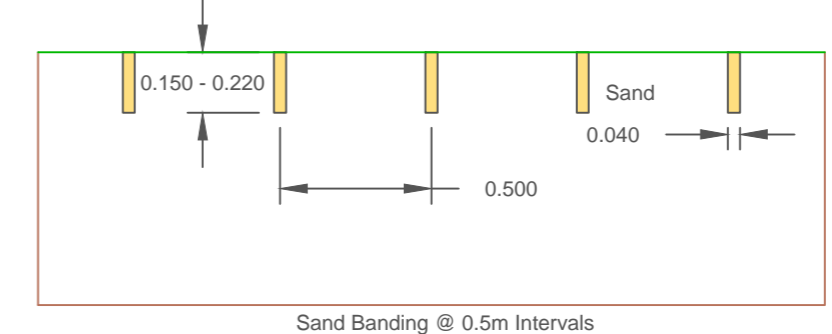
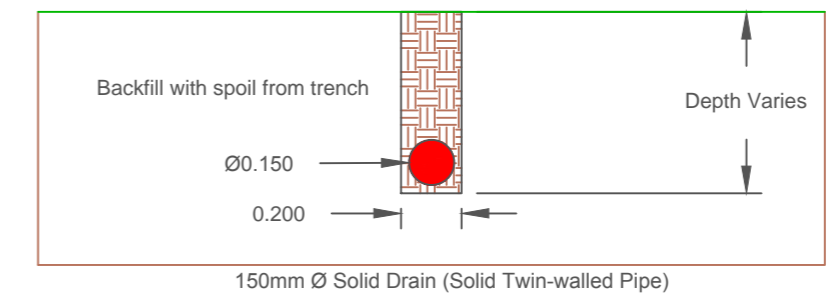
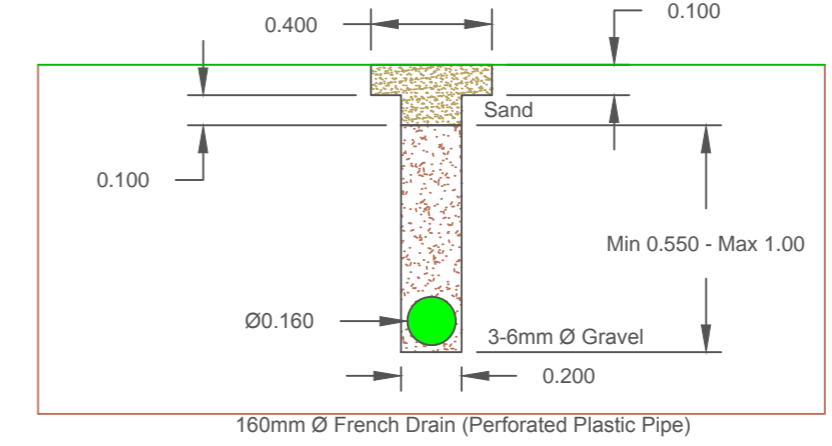
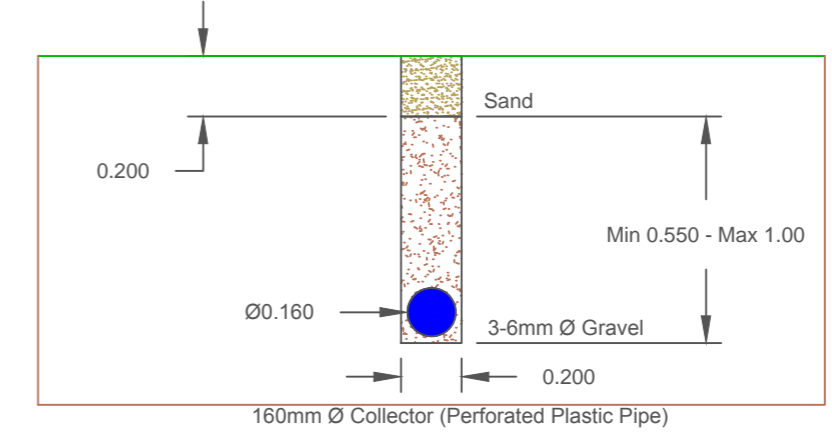
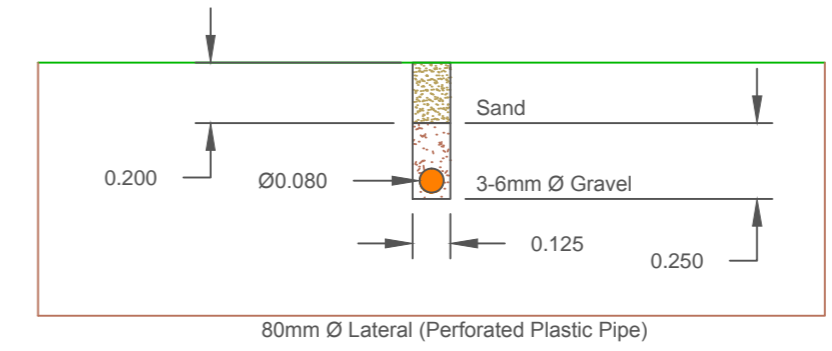


Inspection Chamber Schedule

IC Nr	CL m (AOD)	Pipe Base Depth m (bgl)	IL m (AOD)	IC Nr	CL m (AOD)	Pipe Base Depth m (bgl)	IL m (AOD)	Outlet Pipe Depth m (bgl)	Outlet IL m (AOD)	Run length m	Gradient (1 in ratio)	Gradient %
1	3.17	0.85	2.32	2	3.15	0.55	2.60			72	-257	-0.39
2	3.15	0.55	2.60	3	3.20	1.00	2.20			62	155	0.65
3	3.20	1.00	2.20	4	2.50	1.00	1.50	1.48	1.02	135	193	0.52
1	3.17	0.85	2.32	5	3.10	0.55	2.55			70	-304	-0.33



NOTES:-
1)

Revisions					
Rev	Date	Description	Drawn By	Checked By	
1	25/10/2016	Indicative existing drainage extended. IC9 added to drainage scheme. 150mm Solid and Headwall added.	MP	RE	
2	31/10/2016	Drainage added in NE area. IC10, IC11 and edge of swale added. Drainage redirected into swale and IC9 relocated. Drainage scheme split into 2 phases.	MP	RE	
3	25/11/2016	Inspection chamber schedule table added.	MP	RE	

LEGEND:-

- Major Contours - 50cm Intervals
- Minor Contours - 10cm Intervals
- Phase 1 Drainage
- Phase 2 Drainage
- 80mm Ø Laterals @ 5m Intervals
- 160mm Ø Collector
- 160mm Ø French Drain
- 150mm Ø Solid
- Indicative Sand Banding
- New Inspection Chamber
- Existing Inspection Chamber
- Headwall
- Indicative Existing Drainage
- Edge of Swale

Certificate Number 11324-QMS-001 ISO 9001

TGMS Ltd, 4 Doolittle Mill, Froghall Road, Ampthill, Bedfordshire, MK45 2ND
 Tel: 01525 307060 Web: www.tgms.co.uk Email: enquires@tgms.co.uk

Drawing Title
Drainage Design

Project : Burgess Park
Client : Southwark Council
Consultant : Richard Earl
Date : 19/10/2016 **Drawing Status :** Proposal
Scale : 1:750 **Paper Size :** A2
Drawn by : OM **Checked by :** MP **Approved by :** RE

Drawing Number
TGMS0550.21-3

Revision
3

Data copyright © TGMS Ltd 2016